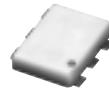


VERY WIDEBAND 50 to 10000 MHz



ADCH

MODEL NO. ◆	FREQUENCY MHz	INSERTION LOSS* (dB)		VSWR* (:1)		DC CURRENT (mA) Max.	INDUCTANCE (μH) Typ.			CASE STYLE Note B	CONNECTION	PRICE \$ Qty. (10-49)
		Typ.	Max.	Typ.	Max.		@ 0 mA	@ 50 mA	@ 100 mA			
ADCH-80*	50 - 8000	0.3	1.0	1.1	1.35	100	7.0	1.8	1.0	CD542	lv	2.75
	50-10000	0.3	2.0	1.1	1.6							
ADCH-80A*	50 - 8000	0.3	1.0	1.1	1.35	100	7.0	1.8	1.0	CD542	mk	2.75
	50-10000	0.3	2.0	1.1	1.6							

* Tested with circuit shown below, Zo=50 ohms

features

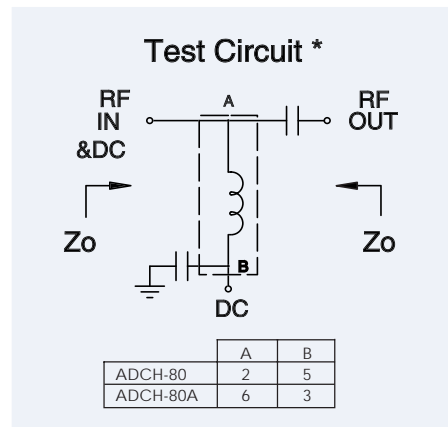
- low parasitic capacitance 0.1 PF typ.
- effective parallel resistance, Rch 800 ohm typ.
- patent applied for

applications

- amplifier biasing

NOTES:

- ◆ Aqueous washable.
 - * Protected under U.S. Patent 6133525.
 - A. Environmental specifications and re-flow soldering information available in General Information Section.
 - B. Units are non-hermetic unless otherwise noted. For details on case dimensions & finishes see "Case Styles & Outline Drawings".
 - C. Prices and Specifications subject to change without notice.
1. Absolute maximum power, voltage and current rating:
1a. DC current 250mA



pin connections

see case style outline drawings

PORT	lv	mk
INPUT	2	6
OUTPUT	5	3
NOT USED	1,3,4,6	1,2,4,5

